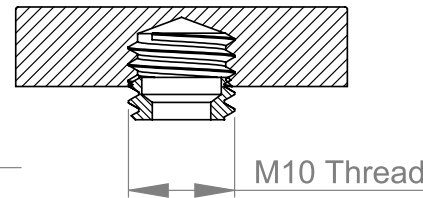
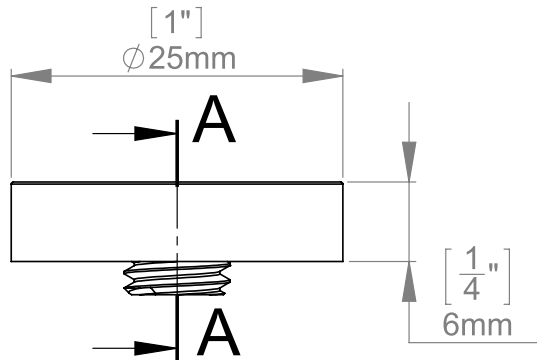
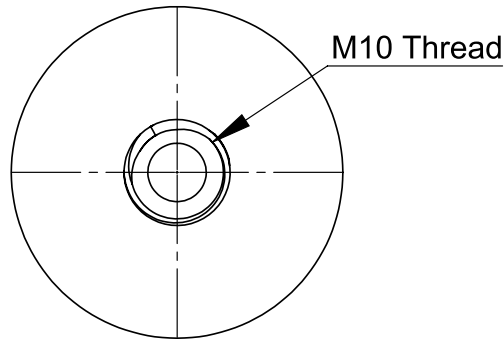
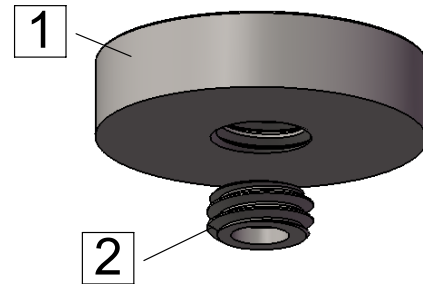
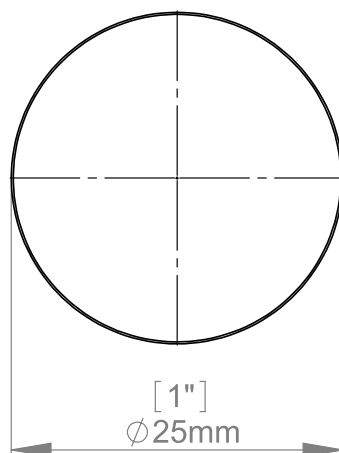


Installation Guidelines

Screwcaps



SECTION A-A



| Item | Qty. | Description |
|------|------|------------------|
| 1 | 1 | SC25SSS Cap |
| 2 | 1 | M10xL3.2mm Screw |

rapidSIGNS & Banner Company
120 West Railroad Avenue
Ruston, Louisiana 71270



www.rapidsigns.com
318-251-2133
contact@rapidsigns.com