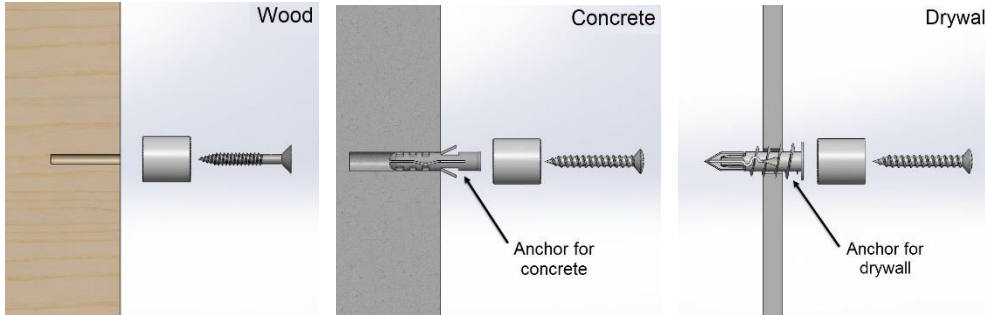


Installation Guidelines



Standoffs

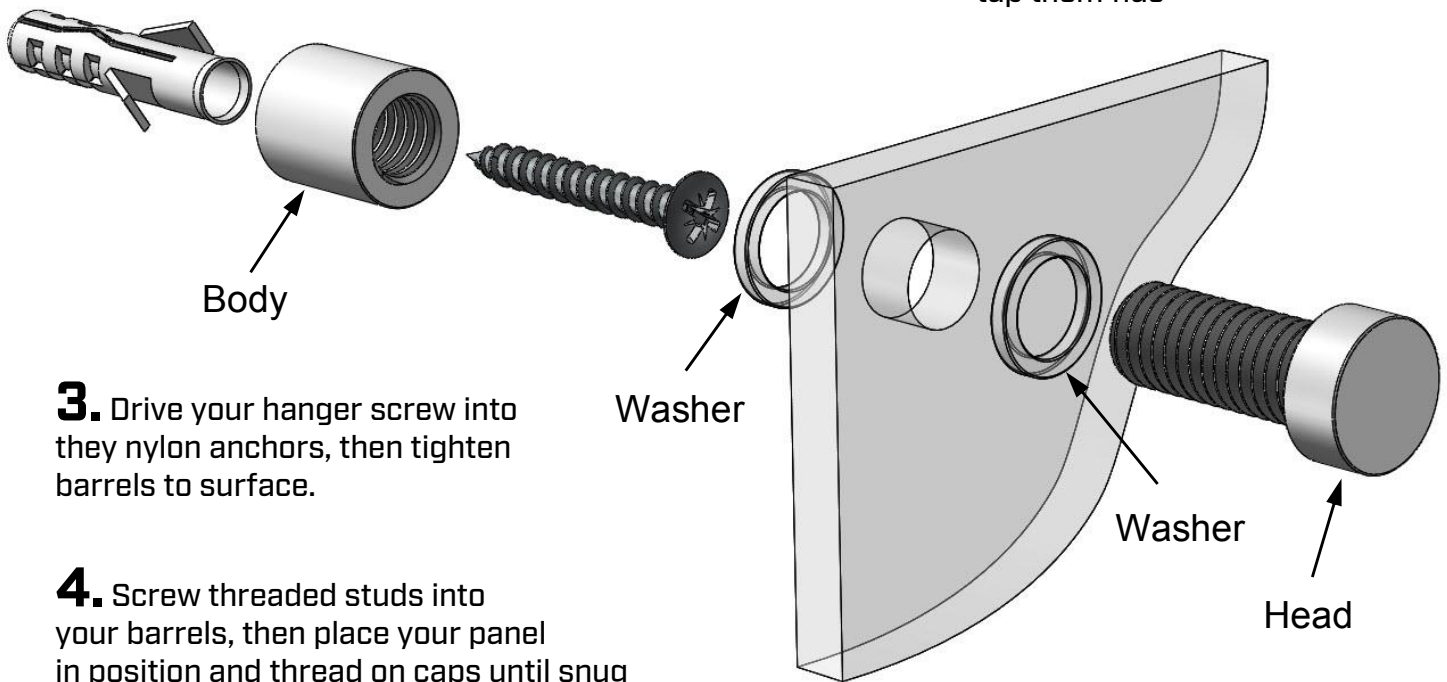
Installation Tips



Always check the installation surface to ensure that the substrate will be strong enough to hold the weight of the panel. All installations must be done so with the proper hardware and protective gears to ensure safety. It is important to check the parts are properly tightened at the end of each installation.

1. Use the holes in your material as a template to mark holes on your mounting surface

2. Pre-drill 1/4" holes in your surface, then insert nylon anchors into the holes and tap them flush



3. Drive your hanger screw into the nylon anchors, then tighten barrels to surface.

4. Screw threaded studs into your barrels, then place your panel in position and thread on caps until snug

rapidSIGNS & Banner Company
P.O. Box 2290
Ruston, Louisiana 71273



www.rapidsigns.com
318-251-2133
contact@rapidsigns.com